

**Section 12**







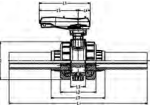


# **Double-See™ Vinyl Double Containment Piping System**



# Double-See™ System Specification

	PVC Schedule 80	CPVC Schedule 80	PVC Schedule 40
<b>Material</b>			
Cell classification	12454	23447	14353
Color	Dark gray	Light gray	Clear
Specific Gravity (g/cc3 @ 73°F)	1.40	1.51	1.32
Linear expansion coefficient (in/in °F)	2.8 × 10-5	3.4 × 10-5	4.1 × 10-5
Tensile Strength @ yield (psi @ 73°F)	7,200	7,550	6,500
Modules of Elasticity Tensile (psi @ 73°F)	430,000	375,000	334,000
Heat Distortion Temperature (°F @ 264 psi)	158	230	157
Flammability (UL94)	V-0	V-0	V-0
<b>Dimension</b>			
Primary	½"-6"	½"-6"	n/a
Secondary	2"-10"	2"-10"	2"-10"
<b>Pressure Rating</b>			
Primary	varies by size	varies by size	n/a
Secondary	up to 50 psi	up to 50 psi	up to 50 psi
<b>Temperature Rating</b>			
	32°F-140°F (0°C-60°C)	32°F-212°F (0°C-100°C)	32°F-140°F (0°C-60°C)
<b>Testing and Inspection</b>		Visual Inspection Dimensional Tolerance Pressure Testing	
<b>Material &amp; Product Approvals/Conformance</b>		NSF/ANSI 14 & 61 ASTM D1784 ASTM D1785 ASTM D2467 ASTM F441 ASTM F439	
<b>Joining Technology</b>		Solvent Cement	
<b>Packing</b>		Pipe in lifts/boxes Fittings in bulk boxes	
<b>Labeling</b>		Brand Name Product Description Code Number Material Dimension Approvals	
<b>Main Applications</b>		Double-See is suitable for a wide range of applications including water and waste water treatment, chemical delivery, dosing and processing, microelectronics, life sciences, metal working/finishing, waste collection, and many others.	
<b>Additional features</b>		Custom fabrications and pipe spooling available	

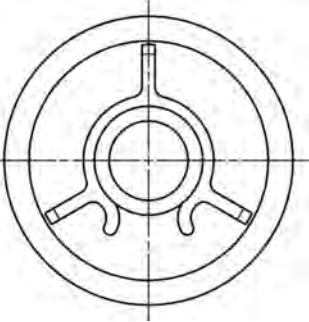
# Table of contents

		Page
	Pipes	382
	Elbows	385
	Tees	388
	Sump	397
	Closure Couplings	398
	Terminations	399
	Valves	401
	Leak Detection	407
	Accessories	408

# Pipes

## Pipe, PVC 80 x PVC 80 (20-ft lengths)

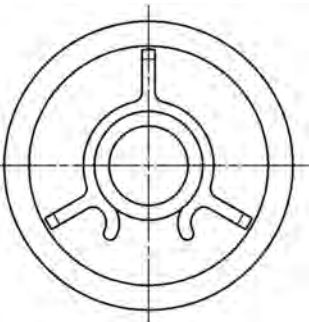
A



Size [inch]	Part No.	USD
½ x 2	8808005020AB *	34.36
¾ x 3	8808007030AB *	40.81
1 x 3	8808010030AB *	48.32
1 ½ x 4	8808015040AB *	56.92
2 x 4	8808020040AB *	66.58
3 x 6	8808030060AB *	79.47
4 x 8	8808040080AB *	93.43
6 x 10	8808060100AB *	139.60

## Pipe, CPVC 80 x PVC 80 (20-ft lengths)

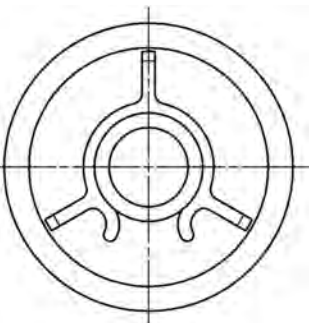
A



Size [inch]	Part No.	USD
½ x 2	9808005020AB *	39.73
¾ x 3	9808007030AB *	47.25
1 x 3	9808010030AB *	55.84
1 ½ x 4	9808015040AB *	66.58
2 x 4	9808020040AB *	77.32
3 x 6	9808030060AB *	92.35
4 x 8	9808040080AB *	107.39
6 x 10	9808060100AB *	161.08

## Pipe, CPVC 80 x CPVC 80 (20-ft lengths)

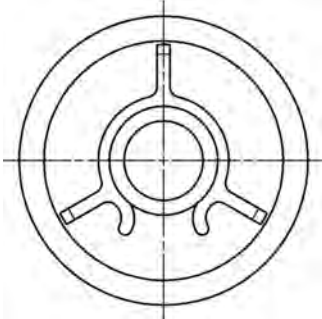
A



Size [inch]	Part No.	USD
½ x 2	9908005020AB *	45.10
¾ x 3	9908007030AB *	53.69
1 x 3	9908010030AB *	63.36
1 ½ x 4	9908015040AB *	75.17
2 x 4	9908020040AB *	86.98
3 x 6	9908030060AB *	102.02
4 x 8	9908040080AB *	118.13
6 x 10	9908060100AB *	230.88

## Pipe, PVC 80 x PVC 40 Clear (20-ft lengths)

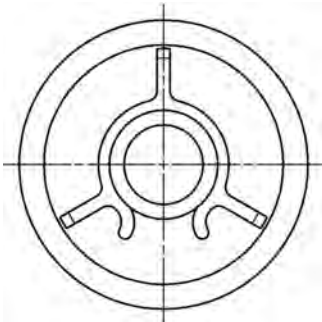
A



Size [inch]	Part No.	USD
1/2 x 2	8308005020AB *	36.51
3/4 x 3	8308007030AB *	42.96
1 x 3	8308010030AB *	50.47
1 1/2 x 4	8308015040AB *	59.06
2 x 4	8308020040AB *	69.80
3 x 6	8308030060AB *	82.69
4 x 8	8308040080AB *	96.65
6 x 10	8308060100AB *	171.82

## Pipe, CPVC 80 x PVC 40 Clear (20-ft lengths)

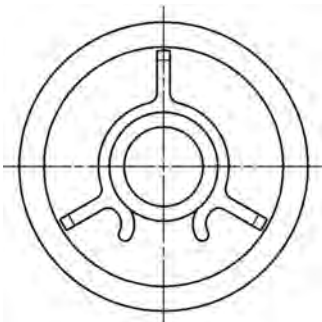
A



Size [inch]	Part No.	USD
1/2 x 2	9308005020AB *	38.66
3/4 x 3	9308007030AB *	45.10
1 x 3	9308010030AB *	52.62
1 1/2 x 4	9308015040AB *	62.29
2 x 4	9308020040AB *	73.02
3 x 6	9308030060AB *	89.13
4 x 8	9308040080AB *	107.39
6 x 10	9308060100AB *	187.93

## Pipe, PVC 80 x PVC 40 (20-ft lengths)

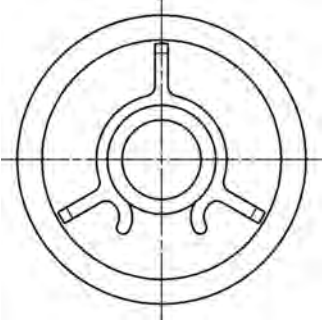
A



Size [inch]	Part No.	USD
1/2 x 2	8408005020AB *	22.55
3/4 x 3	8408007030AB *	26.85
1 x 3	8408010030AB *	31.14
1 1/2 x 4	8408015040AB *	36.51
2 x 4	8408020040AB *	42.96
3 x 6	8408030060AB *	51.55
4 x 8	8408040080AB *	60.14
6 x 10	8408060100AB *	90.21

# Pipe, CPVC 80 x PVC 40 (20-ft lengths)

**A**

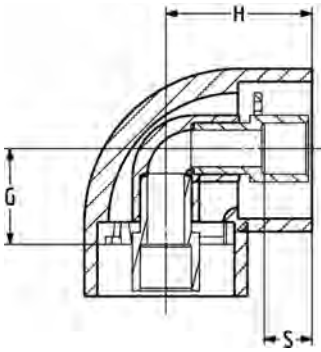


Size [inch]	Part No.	USD
1/2 x 2	9408005020AB *	26.85
3/4 x 3	9408007030AB *	31.14
1 x 3	9408010030AB *	36.51
1 1/2 x 4	9408015040AB *	42.96
2 x 4	9408020040AB *	50.47
3 x 6	9408030060AB *	60.14
4 x 8	9408040080AB *	69.80
6 x 10	9408060100AB *	104.17

# Elbows

## 90° Elbow, PVC 80 x PVC 80

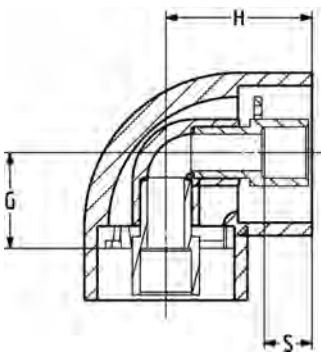
A



Size [inch]	Part No.	USD	G [inch]	H [inch]	S [inch]
½ x 2	<b>8806005020</b>	<b>63.71</b>	1.90	2.78	0.88
¾ x 3	<b>8806007030</b>	<b>91.34</b>	2.75	3.75	1.00
1 x 3	<b>8806010030</b>	<b>94.78</b>	2.56	3.75	1.19
1 ½ x 4	<b>8806015040</b>	<b>128.50</b>	3.20	4.60	1.40
2 x 4	<b>8806020040</b>	<b>133.25</b>	3.10	4.60	1.50
3 x 6	<b>8806030060</b>	<b>329.28</b>	4.80	6.70	1.90
4 x 8	<b>8806040080</b>	<b>638.44</b>	6.47	8.67	2.20
6 x 10	<b>8806060100</b>	<b>2,329.80</b>	7.77	10.77	3.00

## 90° Elbow, CPVC 80 x PVC 80

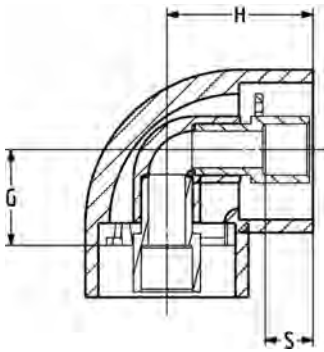
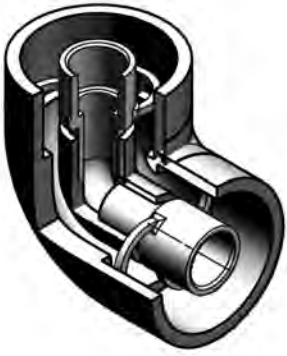
A



Size [inch]	Part No.	USD	G [inch]	H [inch]	S [inch]
½ x 2	<b>9806005020</b>	<b>67.74</b>	1.90	2.78	0.88
¾ x 3	<b>9806007030</b>	<b>96.66</b>	2.75	3.75	1.00
1 x 3	<b>9806010030</b>	<b>124.28</b>	2.56	3.75	1.19
1 ½ x 4	<b>9806015040</b>	<b>171.28</b>	3.20	4.60	1.40
2 x 4	<b>9806020040</b>	<b>201.53</b>	3.10	4.60	1.50
3 x 6	<b>9806030060</b>	<b>449.80</b>	4.80	6.70	1.90
4 x 8	<b>9806040080</b>	<b>846.16</b>	6.47	8.67	2.20
6 x 10	<b>9806060100</b>	<b>2,751.00</b>	7.77	10.77	3.00

## 90° Elbow, CPVC 80 x CPVC 80

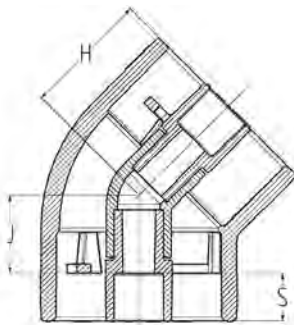
A



Size [inch]	Part No.	USD	G [inch]	H [inch]	S [inch]
½ x 2	9906005020	94.78	1.90	2.78	0.88
¾ x 3	9906007030	167.32	2.75	3.75	1.00
1 x 3	9906010030	179.51	2.56	3.75	1.19
1 ½ x 4	9906015040	316.65	3.19	4.59	1.40
2 x 4	9906020040	337.92	3.09	4.59	1.50
3 x 6	9906030060	589.28	4.80	6.70	1.90
4 x 8	9906040080	1,360.24	6.32	8.52	2.20
6 x 10	9906060100	3,368.93	7.70	10.70	3.00

## 45° Elbow, PVC 80 x PVC 80

A

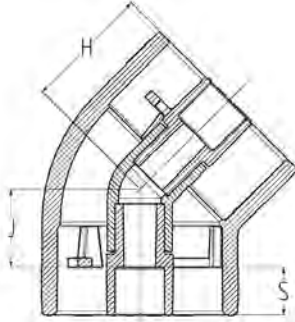


Size [inch]	Part No.	USD	J [inch]	H [inch]	S [inch]
½ x 2	8817005020	85.19	1.29	2.16	0.87
¾ x 3	8817007030	142.75	1.66	2.66	1.00
1 x 3	8817010030	154.64	1.52	2.66	1.14
1 ½ x 4	8817015040	233.47	1.91	3.24	1.33
2 x 4	8817020040	242.80	1.74	3.24	1.50
3 x 6	8817030060	404.94	3.01	4.81	1.80
4 x 8	8817040080	707.21	4.02	6.11	2.20
6 x 10	8817060100	1,734.95	4.77	7.50	3.00



## 45° Elbow, CPVC 80 x PVC 80

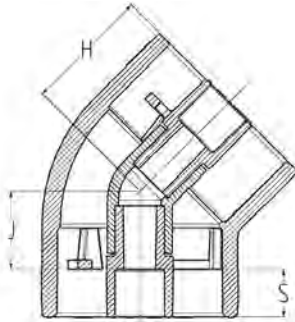
A



Size [inch]	Part No.	USD	J [inch]	H [inch]	S [inch]
½ x 2	9817005020	87.38	1.29	2.16	0.87
¾ x 3	9817007030	145.90	1.66	2.66	1.00
1 x 3	9817010030	159.65	1.52	2.66	1.14
1 ½ x 4	9817015040	182.02	1.91	3.24	1.33
2 x 4	9817020040	210.06	1.74	3.24	1.50
3 x 6	9817030060	433.37	3.01	4.81	1.80
4 x 8	9817040080	790.15	4.02	6.11	2.20
6 x 10	9817060100	2,224.20	4.77	7.50	3.00

## 45° Elbow, CPVC 80 x CPVC 80

A

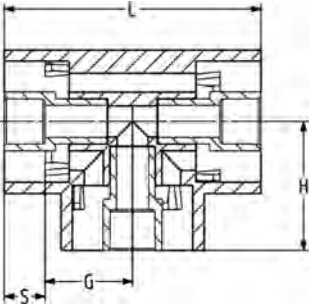


Size [inch]	Part No.	USD	J [inch]	H [inch]	S [inch]
½ x 2	9917005020	99.37	1.29	2.16	0.87
¾ x 3	9917007030	179.55	1.66	2.66	1.00
1 x 3	9917010030	193.74	1.52	2.66	1.14
1 ½ x 4	9917015040	279.97	1.91	3.24	1.33
2 x 4	9917020040	308.01	1.74	3.24	1.50
3 x 6	9917030060	699.62	3.01	4.81	1.80
4 x 8	9917040080	1,399.05	4.02	6.11	2.20
6 x 10	9917060100	3,436.43	4.77	7.50	3.00

# Tees

## Tee, PVC 80 x PVC 80

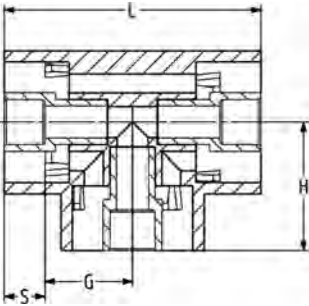
A



Size [inch]	Part No.	USD	L [inch]	H [inch]	G [inch]	S [inch]
½ x 2	<b>8801005020</b>	<b>120.60</b>	5.56	2.78	1.90	0.88
¾ x 3	<b>8801007030</b>	<b>145.39</b>	7.50	3.75	2.75	1.00
1 x 3	<b>8801010030</b>	<b>148.80</b>	7.50	3.75	2.56	1.19
1 ½ x 4	<b>8801015040</b>	<b>201.45</b>	9.26	4.63	3.23	1.40
2 x 4	<b>8801020040</b>	<b>332.90</b>	9.26	4.63	3.13	1.50
3 x 6	<b>8801030060</b>	<b>673.46</b>	13.26	6.63	4.73	1.90
4 x 8	<b>8801040080</b>	<b>1,391.48</b>	17.40	8.70	6.50	2.20
6 x 10	<b>8801060100</b>	<b>3,216.55</b>	21.70	10.85	7.85	3.00

## Tee, CPVC 80 x PVC 80

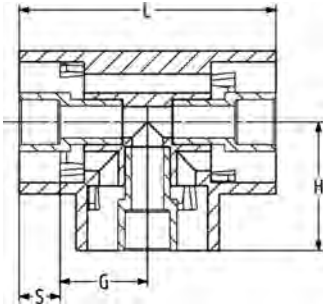
A



Size [inch]	Part No.	USD	L [inch]	H [inch]	G [inch]	S [inch]
½ x 2	<b>9801005020</b>	<b>127.35</b>	5.56	2.78	1.90	0.88
¾ x 3	<b>9801007030</b>	<b>153.75</b>	7.50	3.75	2.75	1.00
1 x 3	<b>9801010030</b>	<b>167.57</b>	7.50	3.75	2.56	1.19
1 ½ x 4	<b>9801015040</b>	<b>242.39</b>	9.26	4.63	3.23	1.40
2 x 4	<b>9801020040</b>	<b>402.71</b>	9.26	4.63	3.13	1.50
3 x 6	<b>9801030060</b>	<b>808.15</b>	13.26	6.63	4.73	1.90
4 x 8	<b>9801040080</b>	<b>1,809.35</b>	17.40	8.70	6.50	2.20
6 x 10	<b>9801060100</b>	<b>3,859.86</b>	21.70	10.85	7.85	3.00

## Tee, CPVC 80 x CPVC 80

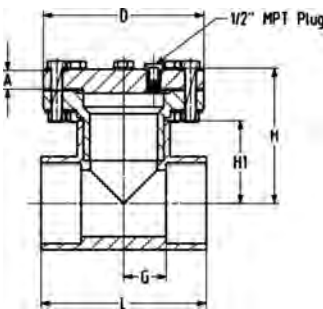
A



Size [inch]	Part No.	USD	L [inch]	H [inch]	G [inch]	S [inch]	
1/2 x 2	9901005020	133.59	5.64	2.82	1.94	0.88	
3/4 x 3	9901007030	225.75	7.50	3.75	2.75	1.00	
1 x 3	9901010030	239.95	7.50	3.75	2.56	1.19	
1 1/2 x 4	9901015040	349.85	9.26	4.63	3.23	1.40	
2 x 4	9901020040	582.04	9.26	4.63	3.13	1.50	
3 x 6	9901030060	1,073.86	13.06	6.53	4.63	1.90	
4 x 8	9901040080	1,885.79	17.26	8.63	6.43	2.20	
6 x 10	9901060100	3,704.90	22.50	11.25	8.25	3.00	

## Access Tee, PVC

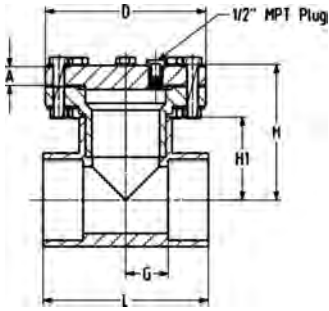
A



Size [inch]	Part No.	USD	L [inch]	H1 [inch]	G [inch]	D [inch]	H [inch]	A [inch]	
2	8801853020	178.26	5.56	2.78	1.29	6.00	4.93	0.92	
3	8801853030	184.71	7.50	3.75	1.85	7.50	6.40	1.03	
4	8801853040	279.21	9.26	4.63	2.38	9.00	7.75	1.35	
6	8801853060	425.26	13.26	6.63	3.55	11.00	10.04	1.49	
8	8801853080	577.75	17.40	8.70	4.59	13.50	13.07	1.63	
10	8801853100	2,091.92	21.70	10.85	5.57	16.00	15.14	1.00	

## Access Tee, CPVC

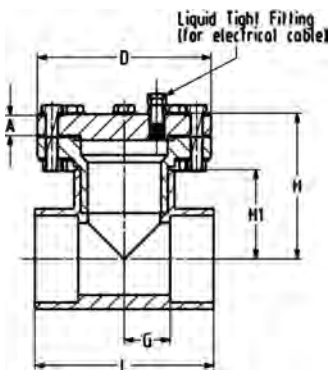
A



Size [inch]	Part No.	USD	L [inch]	H1 [inch]	G [inch]	D [inch]	H [inch]	A [inch]
2	9801853020	214.78	5.64	2.82	1.32	6.00	4.96	0.92
3	9801853030	229.81	7.50	3.75	1.85	7.50	6.40	1.03
4	9801853040	339.35	9.26	4.63	2.38	9.00	7.75	1.35
6	9801853060	584.19	13.06	6.53	3.53	11.00	10.02	1.49
8	9801853080	1,018.04	17.26	8.63	4.59	13.50	13.07	1.63
10	9801853100	2,510.31	22.50	11.25	5.75	16.00	15.14	1.00

## Access Tee (Liquid Tight), PVC

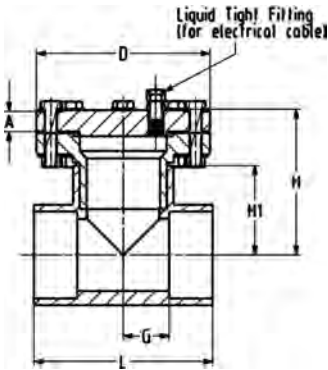
A



Size [inch]	Part No.	USD	L [inch]	H1 [inch]	G [inch]	D [inch]	H [inch]	A [inch]
2	8801853020LT	208.33	5.56	2.78	1.29	6.00	4.93	0.92
3	8801853030LT	214.78	7.50	3.75	1.85	7.50	6.40	1.03
4	8801853040LT	309.28	9.26	4.63	2.38	9.00	7.75	1.35
6	8801853060LT	455.33	13.26	6.63	3.55	11.00	10.04	1.49
8	8801853080lt	607.82	17.40	8.70	4.59	13.50	13.07	1.63
10	8801853100LT	2,119.85	21.70	10.85	5.75	16.00	15.14	1.00

## Access Tee (Liquid Tight), CPVC

A



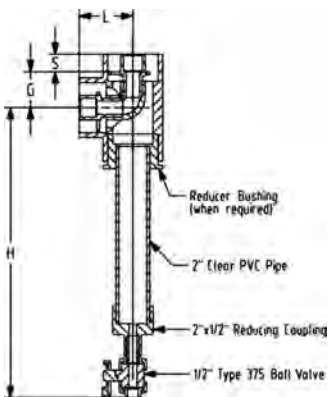
Size [inch]	Part No.	USD	L [inch]	H1 [inch]	G [inch]	D [inch]	H [inch]	A [inch]
2	9801853020LT	246.99	5.64	2.82	1.32	6.00	4.96	0.92
3	9801853030LT	259.88	7.50	3.75	1.85	7.50	6.40	1.03
4	9801853040LT	369.42	9.26	4.63	2.38	9.00	7.75	1.35
6	9801853060LT	614.26	13.06	6.53	3.53	11.00	10.02	1.49
8	9801853080LT	1,048.11	17.26	8.63	4.59	13.50	13.07	1.63
10	9801853100LT	2,886.86	22.50	11.25	5.75	16.00	15.14	1.00

## 90° Low Point Drain/High Point Vent Tee PVC 80 x PVC 80

A



Visual Leak Detection



Size [inch]	Part No.	USD	G [inch]	L [inch]	S [inch]	H [inch]
1/2 x 2	8802005020	175.04	1.90	2.78	0.88	19.66
3/4 x 3	8802007030	199.74	2.75	3.75	1.00	20.28
1 x 3	8802010030	202.96	2.56	3.75	1.79	20.28
1 1/2 x 4	8802015040	282.43	3.23	4.53	1.40	20.76
2 x 4	8802020040	833.33	3.13	4.63	1.50	20.76
3 x 6	8802030060	1,285.44	4.73	6.63	1.90	24.09
4 x 8	8802040080	1,606.53	6.50	8.70	2.20	24.47
6 x 10	8802060100	2,043.60	7.85	10.85	3.00	27.75

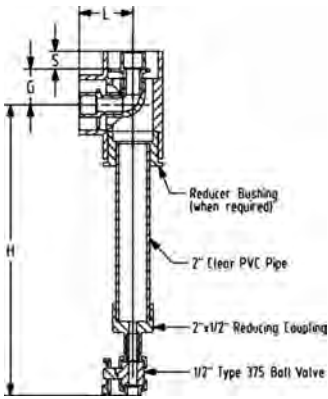
## 90° Low Point Drain/High Point Vent Tee CPVC 80 x PVC 80

A



### Visual Leak Detection

Size [inch]	Part No.	USD	G [inch]	L [inch]	S [inch]	H [inch]
1/2 x 2	9802005020	181.49	1.90	2.78	0.88	19.66
3/4 x 3	9802007030	208.33	2.75	3.75	1.00	20.28
1 x 3	9802010030	222.29	2.56	3.75	1.79	20.28
1 1/2 x 4	9802015040	323.24	3.23	4.63	1.40	20.76
2 x 4	9802020040	922.47	3.13	4.63	1.50	20.76
3 x 6	9802030060	1,695.66	4.73	6.63	1.90	24.09
4 x 8	9802040080	1,334.84	6.50	8.70	2.20	24.47
6 x 10	9802060100	3,525.56	7.85	10.85	3.00	27.75



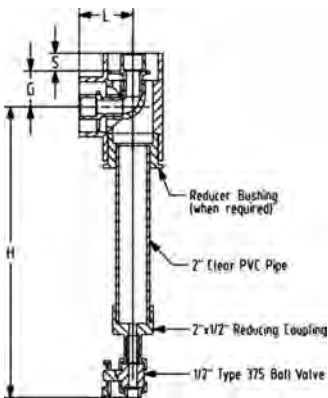
## 90° Low Point Drain/High Point Vent Tee CPVC 80 x CPVC 80

A



### Visual Leak Detection

Size [inch]	Part No.	USD	G [inch]	L [inch]	S [inch]	H [inch]
1/2 x 2	9902005020	187.93	1.90	2.78	0.88	21.44
3/4 x 3	9902007030	280.28	2.75	3.75	1.00	22.02
1 x 3	9902010030	294.24	2.56	3.75	1.19	22.02
1 1/2 x 4	9902015040	430.63	3.23	4.63	1.40	22.50
2 x 4	9902020040	662.59	3.13	4.63	1.50	22.50
3 x 6	9902030060	1,387.46	4.63	6.53	1.90	25.83
4 x 8	9902040080	2,101.59	6.43	8.63	2.20	26.21
6 x 10	9902060100	3,618.99	8.25	11.25	3.00	27.75



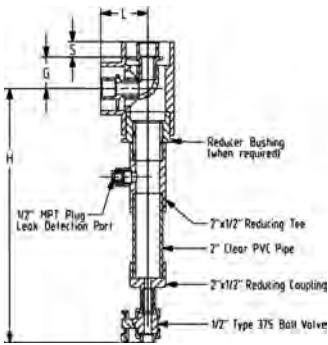
## 90° Low Point Drain/High Point Vent Tee PVC 80 x PVC 80

A



Visual Leak Detection and Leak Detection Port

Size [inch]	Part No.	USD	G [inch]	L [inch]	S [inch]	H [inch]
1/2 x 2	8803005020	192.23	1.90	2.78	0.88	19.66
3/4 x 3	8803007030	182.56	2.75	3.75	1.00	20.28
1 x 3	8803010030	220.15	2.56	3.75	1.79	20.28
1 1/2 x 4	8803015040	301.76	3.23	4.63	1.40	20.76
2 x 4	8803020040	852.66	3.13	4.63	1.50	20.76
3 x 6	8803030060	1,307.99	4.73	6.63	1.90	24.09
4 x 8	8803040080	1,650.56	6.50	8.70	2.20	24.47
6 x 10	8803060100	2,150.99	7.85	10.85	3.00	27.75



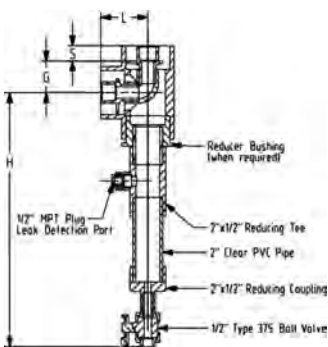
## 90° Low Point Drain/High Point Vent Tee CPVC 80 x PVC 80

A



Visual Leak Detection and Leak Detection Port

Size [inch]	Part No.	USD	G [inch]	L [inch]	S [inch]	H [inch]
1/2 x 2	9803005020	198.67	1.90	2.78	0.88	19.66
3/4 x 3	9803007030	191.15	2.75	3.75	1.00	20.28
1 x 3	9803010030	239.48	2.56	3.75	1.79	20.28
1 1/2 x 4	9803015040	342.57	3.23	4.63	1.40	20.76
2 x 4	9803020040	941.80	3.13	4.63	1.50	20.76
3 x 6	9803030060	1,718.21	4.73	6.63	1.90	24.09
4 x 8	9803040080	1,378.87	6.50	8.70	2.20	24.47
6 x 10	9803060100	3,632.95	7.85	10.85	3.00	27.75



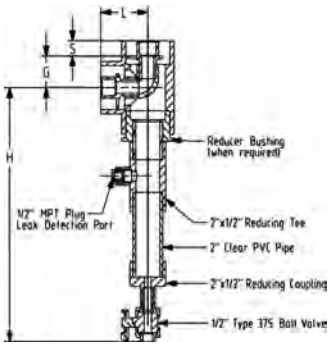
## 90° Low Point Drain/High Point Vent Tee CPVC 80 x CPVC 80

A



### Visual Leak Detection and Leak Detection Port

Size [inch]	Part No.	USD	G [inch]	L [inch]	S [inch]	H [inch]	
½ x 2	<b>9903005020</b>	<b>205.11</b>	1.90	2.78	0.88	21.44	
¾ x 3	<b>9903007030</b>	<b>301.76</b>	2.75	3.75	1.00	22.02	
1 x 3	<b>9903010030</b>	<b>315.72</b>	2.56	3.75	1.19	22.02	
1 ½ x 4	<b>9903015040</b>	<b>455.33</b>	3.23	4.63	1.40	22.50	
2 x 4	<b>9903020040</b>	<b>687.29</b>	3.13	4.63	1.50	22.50	
3 x 6	<b>9903030060</b>	<b>1,430.41</b>	4.63	6.53	1.90	25.83	
4 x 8	<b>9903040080</b>	<b>2,170.32</b>	6.43	8.63	2.20	26.21	
6 x 10	<b>9903060100</b>	<b>3,748.93</b>	8.25	11.25	3.00	27.75	



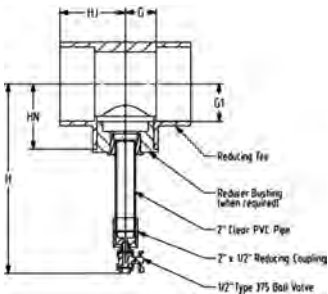
## Low Point Drain/High Point Vent Tee, PVC

A



### Visual Leak Detection

Secondary [inch]	Reducing Tee [inch]	Part No.	USD	H [inch]	HJ [inch]	HN [inch]	G [inch]	G1 [inch]	
2	2 x 2	<b>8801375020</b>	<b>150.34</b>	17.28	2.78	2.78	1.29	1.29	
3	3 x 2	<b>8801375030</b>	<b>152.49</b>	17.90	3.21	3.40	1.31	1.87	
4	4 x 2	<b>8801375040</b>	<b>163.23</b>	18.38	3.52	3.88	1.26	2.37	
6	6 x 2	<b>8801375060</b>	<b>208.33</b>	21.71	6.58	7.21	3.50	5.65	
8	8 x 2	<b>8801375080</b>	<b>380.15</b>	22.09	7.63	7.59	3.59	3.56	
10	10 x 2	<b>8801375100</b>	<b>934.28</b>	23.63	9.69	9.13	4.69	13.31	





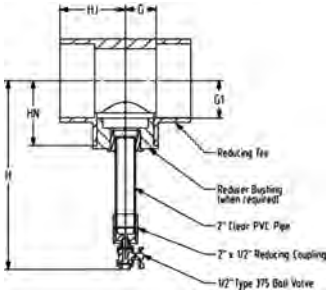
## Low Point Drain/High Point Vent Tee, CPVC

A



Visual Leak Detection

Secondary [inch]	Reducing Tee [inch]	Part No.	USD	H [inch]	HJ [inch]	HN [inch]	G [inch]	G1 [inch]
2	2 x 2	<b>9801375020</b>	<b>152.49</b>	17.32	2.82	2.82	1.32	1.32
3	3 x 2	<b>9801375030</b>	<b>191.15</b>	17.90	3.21	3.40	1.31	1.87
4	4 x 2	<b>9801375040</b>	<b>206.19</b>	18.38	3.52	3.88	1.26	2.37
6	6 x 2	<b>9801375060</b>	<b>375.86</b>	21.71	6.58	7.21	3.56	5.65
8	8 x 2	<b>9801375080</b>	<b>607.82</b>	22.09	7.63	7.59	3.59	3.56
10	10 x 2	<b>9801375100</b>	<b>1,099.66</b>	23.63	9.69	9.13	4.69	13.31



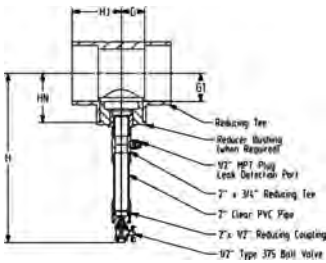
## Low Point Drain/High Point Vent Tee, PVC

A



Visual Leak Detection and Leak Detection Port

Secondary [inch]	Reducing Tee [inch]	Part No.	USD	H [inch]	HJ [inch]	HN [inch]	G [inch]	G1 [inch]
2	2 x 2	<b>8801375020P</b>	<b>167.53</b>	19.66	2.78	2.78	1.29	1.29
3	3 x 2	<b>8801375030P</b>	<b>169.67</b>	20.28	3.21	3.40	1.31	1.87
4	4 x 2	<b>8801375040P</b>	<b>182.56</b>	20.76	3.52	3.88	1.26	2.37
6	6 x 2	<b>8801375060P</b>	<b>230.88</b>	24.09	6.58	7.21	3.56	5.65
8	8 x 2	<b>8801375080P</b>	<b>424.18</b>	24.47	7.63	7.59	3.59	3.56
10	10 x 2	<b>8801375100P</b>	<b>1,041.67</b>	26.01	9.69	9.13	4.69	13.31



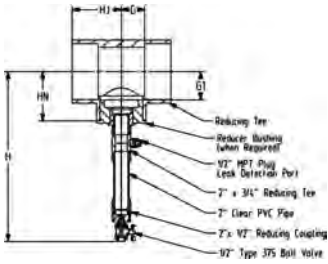
# Low Point Drain/High Point Vent Tee, CPVC

A



## Visual Leak Detection and Leak Detection Port

Secondary [inch]	Reducing Tee [inch]	Part No.	USD	H [inch]	HJ [inch]	HN [inch]	G [inch]	G1 [inch]
2	2 x 2	<b>9801375020P</b>	<b>169.67</b>	21.44	2.82	2.82	1.32	1.32
3	3 x 2	<b>9801375030P</b>	<b>212.63</b>	22.02	3.21	3.40	1.31	1.87
4	4 x 2	<b>9801375040P</b>	<b>230.88</b>	22.50	3.52	3.88	1.26	2.37
6	6 x 2	<b>9801375060P</b>	<b>418.81</b>	25.83	6.58	7.21	3.56	5.65
8	8 x 2	<b>9801375080P</b>	<b>676.55</b>	26.21	7.63	7.59	3.59	3.56
10	10 x 2	<b>9801375100P</b>	<b>1,229.60</b>	27.75	9.69	9.13	4.69	13.31

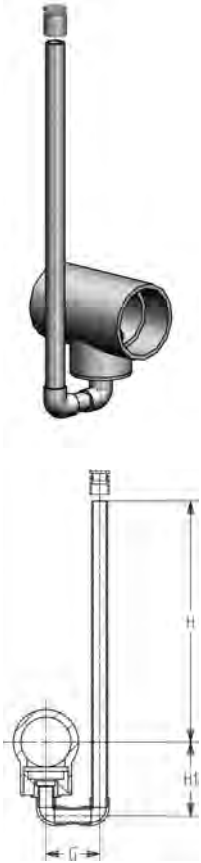


# Sump

## Low Point Leak Detection Sump PVC

A

Riser Pipe not included

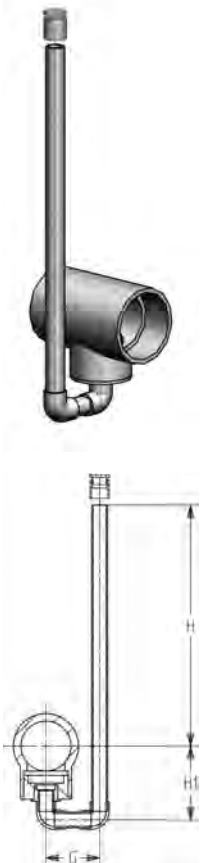


Size [inch]	Reducing Tee [inch]	Part No.	USD	H [inch]	H1 [inch]	G [inch]
2	2 x 2	<b>8804806020</b>	<b>241.62</b>	36	5.56	5.56
3	3 x 2	<b>8804806030</b>	<b>252.36</b>	36	6.18	5.56
4	4 x 2	<b>8804806040</b>	<b>375.86</b>	36	6.66	5.56
6	6 x 2	<b>8804806060</b>	<b>569.16</b>	36	9.99	8.00
8	8 x 2	<b>8804806080</b>	<b>778.57</b>	36	11.02	8.00
10	10 x 2	<b>8804806100</b>	<b>2,792.10</b>	36	11.91	10.00

## Low Point leak Detection Sump CPVC

A

Riser Pipe not included

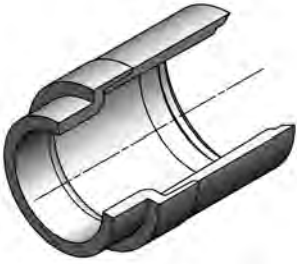


Size [inch]	Reducing Tee [inch]	Part No.	USD	H [inch]	H1 [inch]	G [inch]
2	2 x 2	<b>9804806020</b>	<b>295.32</b>	36	5.56	5.56
3	3 x 2	<b>9804806030</b>	<b>322.16</b>	36	6.18	5.56
4	4 x 2	<b>9804806040</b>	<b>456.40</b>	36	6.66	5.56
6	6 x 2	<b>9804806060</b>	<b>783.93</b>	36	9.99	8.00
8	8 x 2	<b>9804806080</b>	<b>1,369.20</b>	36	11.02	8.00
10	10 x 2	<b>9804806100</b>	<b>3,436.43</b>	36	11.91	10.00

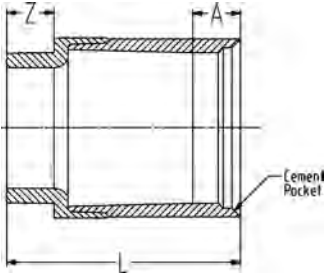
# Closure Couplings

## Closure Coupling, PVC

**A**



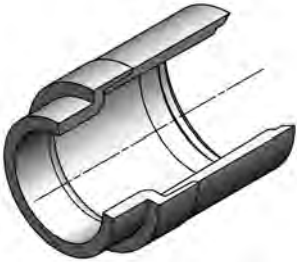
For use with compliance to ASME B31.3  
 Standard couplings are available in the Vinyls Price List  
 Two component adhesive/sealer required located in the accessories section of Double-See



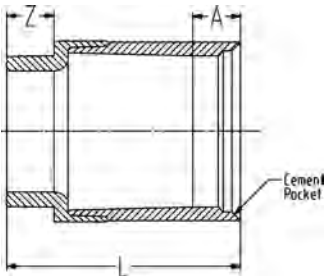
Size [inch]	Part No.	USD	L [inch]	A [inch]	Z [inch]
2	<b>831020 *</b>	<b>284.58</b>	3.71	0.75	0.75
3	<b>831030 *</b>	<b>308.20</b>	4.74	0.75	0.75
4	<b>831040 *</b>	<b>332.90</b>	5.46	1.00	1.00
6	<b>831060 *</b>	<b>354.38</b>	9.41	1.50	1.50
8	<b>831080 *</b>	<b>440.29</b>	10.70	1.75	1.75
10	<b>831100 *</b>	<b>617.48</b>	12.45	2.00	2.00

## Closure Coupling, CPVC

**A**



For use with compliance to ASME B31.3  
 Standard couplings are available in the Vinyls Price List  
 Two component adhesive/sealer required located in the accessories section of Double-See

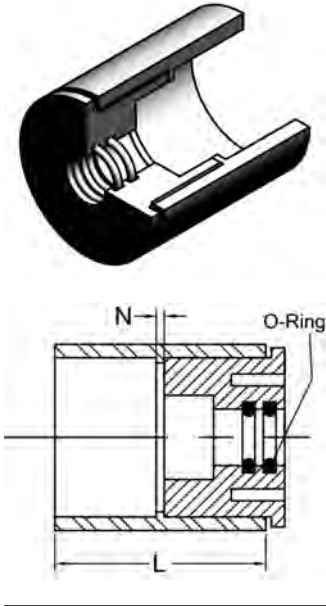


Size [inch]	Part No.	USD	L [inch]	A [inch]	Z [inch]
2	<b>931020 *</b>	<b>536.94</b>	3.71	0.75	0.75
3	<b>931030 *</b>	<b>563.79</b>	4.74	1.00	0.75
4	<b>931040 *</b>	<b>590.64</b>	5.46	1.00	1.00
6	<b>931060 *</b>	<b>724.87</b>	9.41	1.19	1.50
8	<b>931080 *</b>	<b>966.49</b>	10.70	1.19	1.75
10	<b>931100 *</b>	<b>1,825.60</b>	12.45	1.92	2.00

# Terminations

## Termination, PVC 80

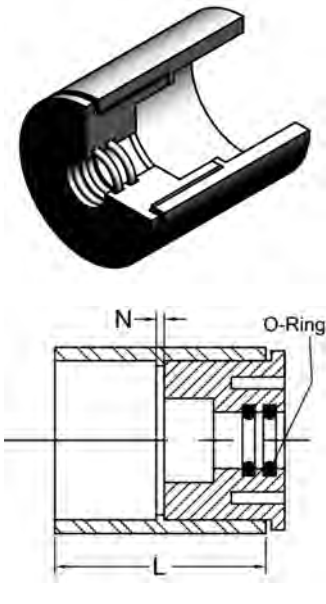
A



Size [inch]	FPM Part No.	USD	EPDM Part No.	USD	L [inch]	N [inch]	
½ x 2	825005020F	145.76	825005020E	145.76	3.14	0.12	
¾ x 3	825007030F	181.58	825007030E	181.58	4.04	0.25	
1 x 3	825010030F	181.58	825010030E	181.58	4.04	0.25	
1 ½ x 4	825015040F	208.31	825015040E	208.31	4.79	0.25	
2 x 4	825020040F	215.75	825020040E	215.75	4.79	0.25	
3 x 6	825030060F	350.46	825030060E	350.46	6.41	0.34	
4 x 8	825040080F	436.02	825040080E	436.02	8.40	0.34	
6 x 10	825060100F	996.37	825060100E	996.37	10.55	0.49	

## Termination, CPVC 80

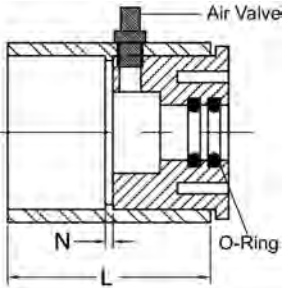
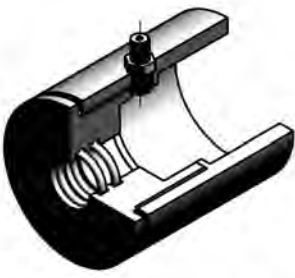
A



Size [inch]	FPM Part No.	USD	EPDM Part No.	USD	L [inch]	N [inch]	
½ x 2	925005020F	219.58	925005020E	219.58	3.14	0.12	
¾ x 3	925007030F	224.38	925007030E	224.38	4.04	0.25	
1 x 3	925010030F	230.72	925010030E	230.72	4.04	0.25	
1 ½ x 4	925015040F	292.04	925015040E	292.04	4.79	0.25	
2 x 4	925020040F	304.92	925020040E	304.92	4.79	0.25	
3 x 6	925030060F	552.31	925030060E	552.31	6.41	0.34	
4 x 8	925040080F	987.36	925040080E	987.36	8.40	0.34	
6 x 10	925060100F	1,502.74	925060100E	1,502.74	10.54	0.50	

## Test Termination, PVC 80

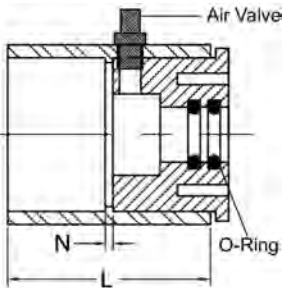
A



Size [inch]	FPM Part No.	USD	EPDM Part No.	USD	L [inch]	N [inch]	
1/2 x 2	825005020FT	161.95	825005020ET	161.95	3.14	0.12	
3/4 x 3	825007030FT	201.76	825007030ET	201.76	4.04	0.25	
1 x 3	825010030FT	201.76	825010030ET	201.76	4.04	0.25	
1 1/2 x 4	825015040FT	231.46	825015040ET	231.46	4.79	0.25	
2 x 4	825020040FT	239.73	825020040ET	239.73	4.79	0.25	
3 x 6	825030060FT	389.40	825030060ET	389.40	6.41	0.34	
4 x 8	825040080FT	484.46	825040080ET	484.46	8.40	0.34	
6 x 10	825060100FT	1,107.08	825060100ET	1,107.08	10.55	0.49	

## Test Termination, CPVC 80

A

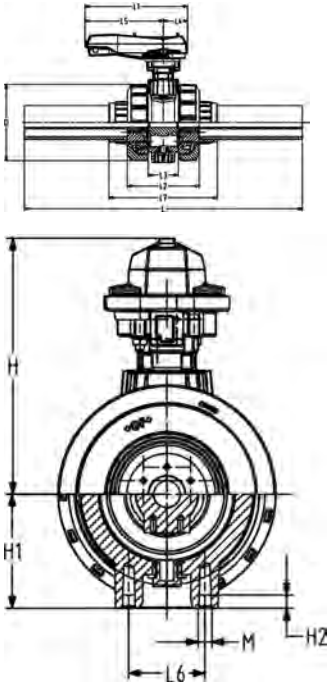


Size [inch]	FPM Part No.	USD	EPDM Part No.	USD	L [inch]	N [inch]	
1/2 x 2	925005020FT	243.97	925005020ET	243.97	3.14	0.12	
3/4 x 3	925007030FT	249.31	925007030ET	249.31	4.04	0.25	
1 x 3	925010030FT	256.36	925010030ET	256.36	4.04	0.25	
1 1/2 x 4	925015040FT	324.49	925015040ET	324.49	4.79	0.25	
2 x 4	925020040FT	338.80	925020040ET	338.80	4.79	0.25	
3 x 6	925030060FT	613.68	925030060ET	613.68	6.41	0.34	
4 x 8	925040080FT	1,097.07	925040080ET	1,097.07	8.40	0.34	
6 x 10	925060100FT	1,669.71	925060100ET	1,669.71	10.55	0.49	

# Valves

## Type 546 Manual Ball Valve, Double Contained PVC x PVC Pressure Rated

A

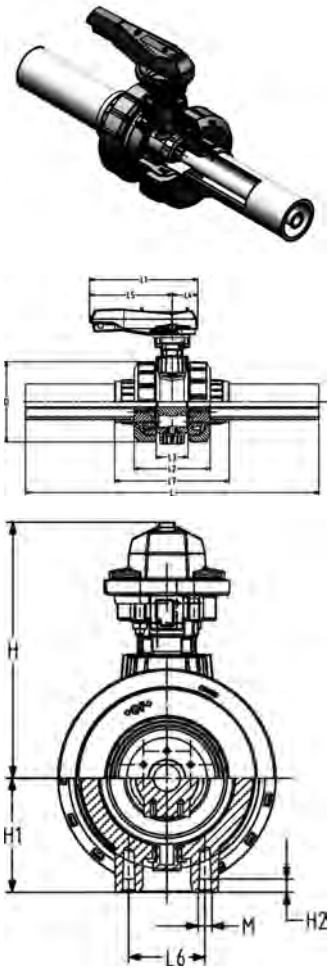


Size [inch]	EPDM Part No.	USD	FPM Part No.	USD
½ x 2	150 546 005 *	1,573.24	150 546 805 *	1,605.46
¾ x 3	150 546 007 *	2,140.25	150 546 807 *	2,174.61
1 x 3	150 546 010 *	2,301.33	150 546 810 *	2,345.36
1 ½ x 4	150 546 015 *	2,842.57	150 546 815 *	2,898.41
2 x 4	150 546 020 *	3,003.65	150 546 820 *	3,070.23

D [inch]	L [inch]	L2 [inch]	L3 [inch]	L1 [inch]	L4 [inch]	L5 [inch]	L6 [inch]	M [inch]	H2 [inch]	H1 [inch]	H [inch]
4.88	8.13	5.13	2.40	5.98	2.60	3.43	1.77	8	0.59	2.52	5.67
7.87	11.22	7.47	2.76	10.59	2.52	8.11	2.76	8	0.59	4.13	9.25
7.87	11.22	7.47	2.99	10.59	2.52	8.11	2.76	8	0.59	4.13	9.25
9.37	14.20	9.20	3.70	12.60	2.52	10.05	4.72	12	0.87	4.84	9.63
9.37	14.20	9.20	4.21	12.60	2.52	10.05	4.72	12	0.87	4.84	9.63

## Type 546 Manual Ball Valve, Double Contained CPVC x PVC

A



Pressure Rated

Size [inch]	EPDM Part No.	USD	FPM Part No.	USD
½ x 2	150 546 905 *	1,594.72	150 546 705 *	1,634.45
¾ x 3	150 546 907 *	2,161.73	150 546 707 *	2,212.20
1 x 3	150 546 910 *	2,313.14	150 546 710 *	2,379.73
1 ½ x 4	150 546 915 *	2,859.75	150 546 715 *	2,949.96
2 x 4	150 546 920 *	3,022.98	150 546 720 *	3,151.85

Size [inch]	D [inch]	L [inch]	L1 [inch]	L2 [inch]	L3 [inch]	L4 [inch]	L5 [inch]	L6 [inch]	H [inch]	H1 [inch]	H2 [inch]	M [inch]
½ x 2	4.88	8.13	5.98	5.13	2.10	2.60	3.43	1.77	5.67	2.52	0.59	8.00
¾ x 3	7.87	11.22	10.59	7.47	2.76	2.52	8.11	2.76	9.25	4.13	0.59	8.00
1 x 3	7.87	11.22	10.59	7.47	2.99	2.52	8.11	2.76	9.25	4.13	0.59	8.00
1 ½ x 4	9.37	14.20	12.60	9.20	3.70	2.52	10.05	4.72	9.63	4.84	0.87	12.00
2 x 4	9.37	14.20	12.60	9.20	4.21	2.52	10.05	4.72	9.63	4.84	0.87	12.00

# Manual Valve Box, PVC x PVC

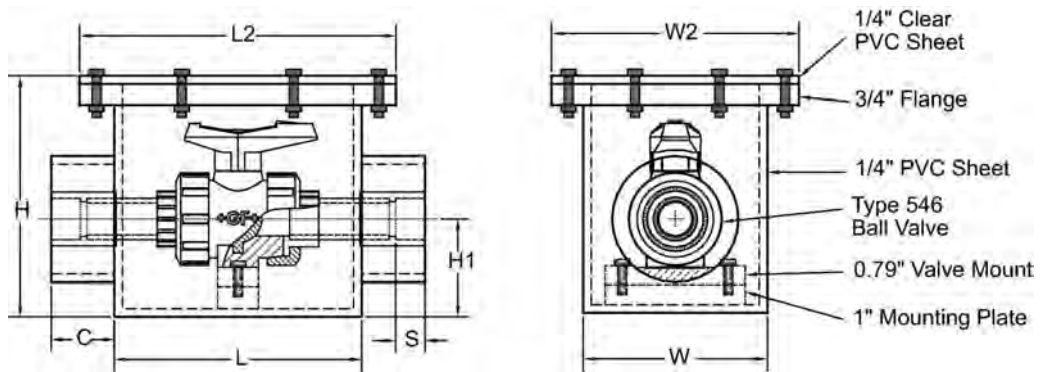
A



Not Pressure Rated

Size [inch]	EPDM Part No.	USD	FPM Part No.	USD
½ x 2	8546005020EVB *	695.88	8546005020FVB *	702.32
¾ x 3	8546007030EVB *	945.02	8546007030FVB *	953.61
1 x 3	8546010030EVB *	953.61	8546010030FVB *	966.49
1 ½ x 4	8546015040EVB *	1,146.91	8546015040FVB *	1,161.94
2 x 4	8546020040EVB *	1,168.38	8546020040FVB *	1,194.16
3 x 6	8546030060EVB *	1,653.78	8546030060FVB *	1,731.10
4 x 8	8546040080EVB *	1,902.92	8546040080FVB *	2,008.16

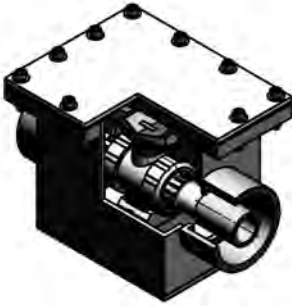
Size [inch]	Weight [lb]	W [inch]	L [inch]	H [inch]	H1 [inch]	C [inch]	S [inch]	W2 [inch]	L2 [inch]
½ x 2	7.20	6.00	8.00	8.00	3.10	1.57	0.88	8.00	10.00
¾ x 3	7.45	6.00	8.00	8.00	2.02	2.02	1.00	8.00	10.00
1 x 3	8.20	10.00	8.00	8.00	2.02	2.02	1.13	8.00	10.00
1 ½ x 4	12.09	10.00	10.00	11.00	2.40	2.40	1.38	12.00	12.00
2 x 4	28.34	10.00	10.00	11.00	2.40	2.40	1.50	12.00	12.00
3 x 6	53.84	18.00	18.00	15.00	3.21	3.21	1.88	20.00	20.00
4 x 8	83.02	22.00	22.00	17.00	4.20	4.20	2.25	24.00	24.00





## Manual Valve Box, CPVC x PVC

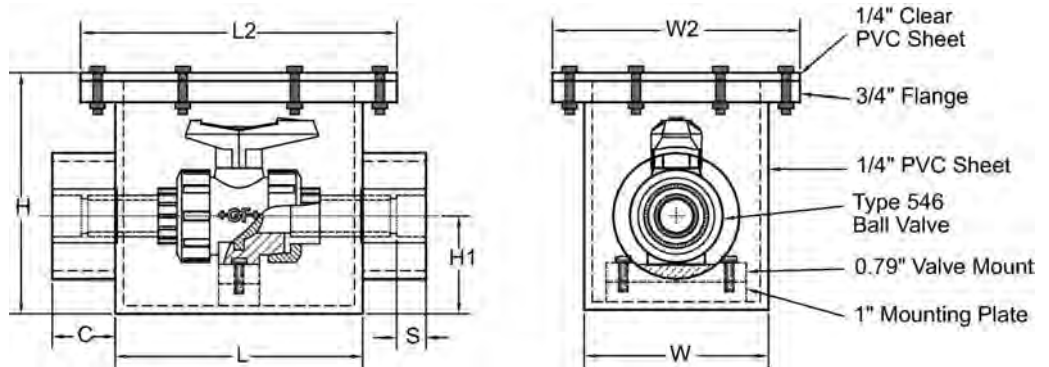
A



Not Pressure Rated

Size [inch]	EPDM Part No.	USD	FPM Part No.	USD
1/2 x 2	9546005020EVB *	719.50	9546005020FVB *	762.46
3/4 x 3	9546007030EVB *	972.94	9546007030FVB *	1,056.70
1 x 3	9546010030EVB *	987.97	9546010030FVB *	1,108.25
1 1/2 x 4	9546015040EVB *	1,189.86	9546015040FVB *	1,217.78
2 x 4	9546020040EVB *	1,226.37	9546020040FVB *	1,269.33
3 x 6	9546030060EVB *	1,870.70	9546030060FVB *	1,898.63
4 x 8	9546040080EVB *	2,162.80	9546040080FVB *	2,199.31

Size [inch]	Weight [lb]	W [inch]	L [inch]	H [inch]	H1 [inch]	C [inch]	S [inch]	W2 [inch]	L2 [inch]
1/2 x 2	7.22	6.00	8.00	3.10	3.10	1.57	0.88	8.00	10
3/4 x 3	7.47	6.00	8.00	3.22	2.02	2.02	1.00	8.00	10
1 x 3	8.27	6.00	8.00	3.46	2.02	2.02	1.13	8.00	10
1 1/2 x 4	12.32	10.00	10.00	4.05	2.40	2.40	1.38	12.00	12
2 x 4	28.82	10.00	10.00	4.56	2.40	2.40	1.50	12.00	12
3 x 6	55.38	18.00	18.00	6.17	3.21	3.21	1.88	20.00	20
4 x 8	85.88	22.00	22.00	6.88	4.20	4.20	2.25	24.00	24



## Manual Valve Box, External Handle PVC x PVC

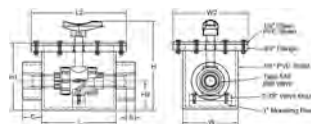
A



Not Pressure Rated

Size [inch]	EPDM Part No.	USD	FPM Part No.	USD
1/2 x 2	8546005020EEH *	917.10	8546005020FEH *	927.84
3/4 x 3	8546007030EEH *	1,170.53	8546007030FEH *	1,183.42
1 x 3	8546010030EEH *	1,179.12	8546010030FEH *	1,196.31
1 1/2 x 4	8546015040EEH *	1,374.57	8546015040FEH *	1,501.29
2 x 4	8546020040EEH *	1,396.05	8546020040FEH *	1,426.12

Size [inch]	Weight [lb]	W [inch]	L [inch]	H [inch]	H1 [inch]	H2 [inch]	C [inch]	S [inch]	W2 [inch]	L2 [inch]
1/2 x 2	7.50	6.00	8.00	9.20	7.00	3.10	1.57	0.88	8.00	10.00
3/4 x 3	7.75	6.00	8.00	9.50	7.00	3.22	2.02	1.00	8.00	10.00
1 x 3	8.50	6.00	8.00	9.50	7.00	3.46	2.02	1.13	8.00	10.00
1 1/2 x 4	12.49	8.00	10.00	12.80	10.00	4.05	2.40	1.38	10.00	12.00
2 x 4	28.74	8.00	10.00	13.00	10.00	4.56	2.40	1.50	10.00	12.00





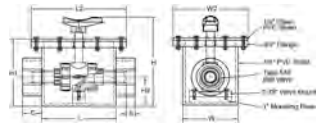
## Manual Valve Box, External Handle CPVC x PVC

A

Not Pressure Rated

Size [inch]	EPDM Part No.	USD	FPM Part No.	USD
1/2 x 2	9546005020EEH *	945.02	9546005020FEH *	951.46
3/4 x 3	9546007030EEH *	1,202.75	9546007030FEH *	1,320.88
1 x 3	9546010030EEH *	1,219.93	9546010030FEH *	1,234.97
1 1/2 x 4	9546015040EEH *	1,421.82	9546015040FEH *	1,449.74
2 x 4	9546020040EEH	Call	9546020040FEH *	1,501.29

Size [inch]	Weight [lb]	W [inch]	L [inch]	H [inch]	H1 [inch]	H2 [inch]	C [inch]	S [inch]	W2 [inch]	L2 [inch]
1/2 x 2	7.52	5.00	8.00	9.20	7.00	3.10	1.57	0.88	7.00	10.00
3/4 x 3	7.77	5.00	8.00	9.50	7.00	3.22	2.02	1.00	7.00	10.00
1 x 3	8.57	5.00	8.00	9.50	7.00	3.46	2.02	1.13	7.00	10.00
1 1/2 x 4	12.72	8.00	10.00	12.80	10.00	4.05	2.40	1.38	10.00	12.00
2 x 4	29.22	8.00	10.00	13.00	10.00	4.56	2.40	1.50	10.00	12.00

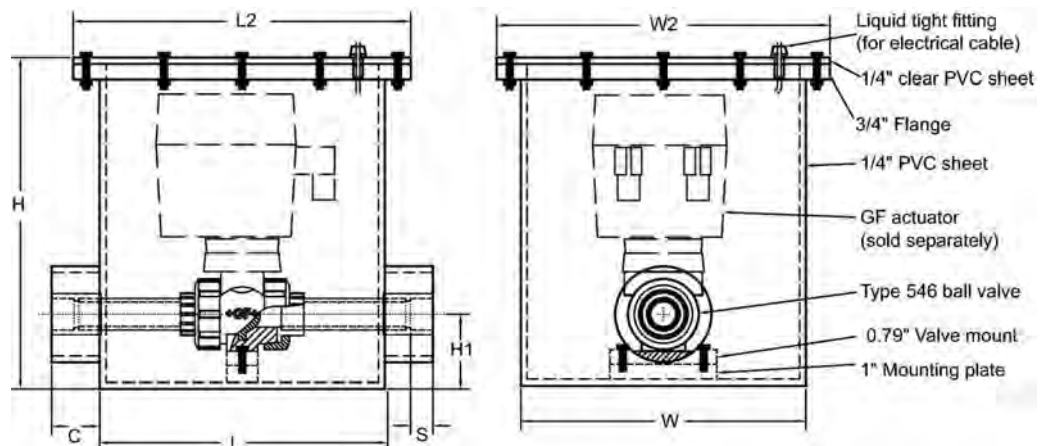


## Actuated Valve Box, PVC x PVC

A

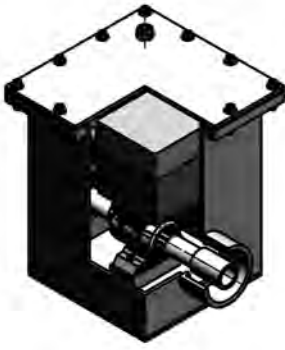
Size [inch]	EPDM Part No.	USD	FPM Part No.	USD
1/2 x 2	8546005020EAV *	972.94	8546005020FAV *	979.38
3/4 x 3	8546007030EAV *	1,224.23	8546007030FAV *	1,232.82
1 x 3	8546010030EAV *	1,232.82	8546010030FAV *	1,245.70
1 1/2 x 4	8546015040EAV *	1,423.97	8546015040FAV *	1,439.00
2 x 4	8546020040EAV *	1,444.37	8546020040FAV *	1,471.22
3 x 6	8546030060EAV *	1,927.62	8546030060FAV *	2,038.23
4 x 8	8546040080EAV *	2,179.98	8546040080FAV *	2,285.22

Size [inch]	Weight [lb]	W [inch]	L [inch]	H [inch]	H1 [inch]	C [inch]	S [inch]	W2 [inch]	L2 [inch]
1/2 x 2	8.70	10.00	10.00	14.00	3.10	1.57	0.88	12.00	12.00
3/4 x 3	8.95	10.00	10.00	14.00	3.22	2.02	1.00	12.00	12.00
1 x 3	10.20	10.00	10.00	14.00	3.46	2.02	1.13	12.00	12.00
1 1/2 x 4	14.34	10.00	10.00	16.00	4.05	2.40	1.38	12.00	12.00
2 x 4	33.44	10.00	10.00	16.00	4.56	2.40	1.50	12.00	12.00
3 x 6	61.34	13.00	15.00	24.00	6.17	3.21	1.88	15.00	17.00
4 x 8	94.52	15.00	17.00	24.00	6.88	4.20	2.25	17.00	19.00



# Actuated Valve Box, CPVC x PVC

A

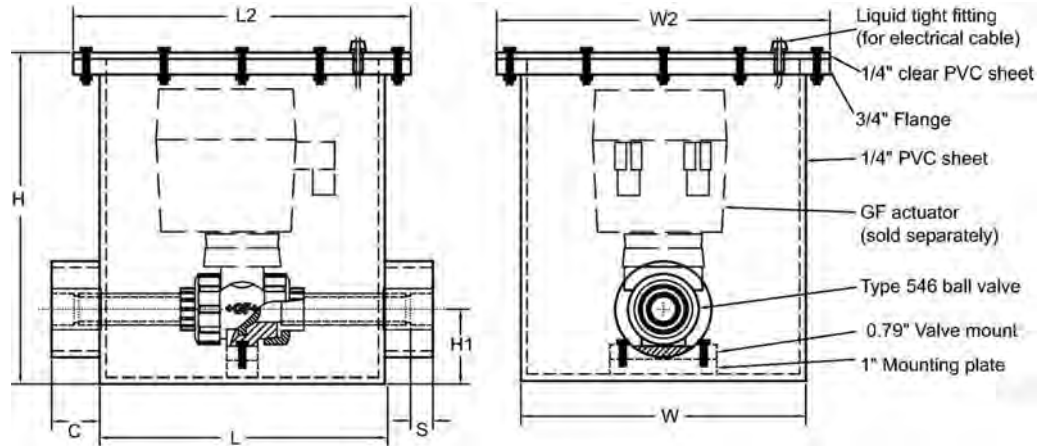


Not Pressure Rated

Includes 546 Ball Valve, customer to purchase actuator of choice separately, to be mounted onto valve

Size [inch]	EPDM Part No.	USD	FPM Part No.	USD
1/2 x 2	9546005020EAV *	996.56	9546005020FAV *	1,004.08
3/4 x 3	9546007030EAV *	1,254.30	9546007030FAV *	1,262.89
1 x 3	9546010030EAV *	1,269.33	9546010030FAV *	1,284.36
1 1/2 x 4	9546015040EAV *	1,466.92	9546015040FAV *	1,494.85
2 x 4	9546020040EAV *	1,503.44	9546020040FAV *	1,546.39
3 x 6	9546030060EAV *	2,143.47	9546030060FAV *	2,173.54
4 x 8	9546040080EAV *	2,439.86	9546040080FAV *	2,476.37

Size [inch]	Weight [lb]	W [inch]	L [inch]	H [inch]	H1 [inch]	C [inch]	S [inch]	W2 [inch]	L2 [inch]
1/2 x 2	8.72	10.00	10.00	14.00	3.10	1.57	0.88	12.00	12.00
3/4 x 3	8.97	10.00	10.00	14.00	3.22	2.02	1.00	12.00	12.00
1 x 3	10.27	10.00	10.00	14.00	3.46	2.02	1.13	12.00	12.00
1 1/2 x 4	14.57	10.00	10.00	16.00	4.05	2.40	1.38	12.00	12.00
2 x 4	33.92	10.00	10.00	16.00	4.56	2.40	1.50	12.00	12.00
3 x 6	62.88	13.00	15.00	24.00	6.17	3.21	1.88	15.00	17.00
4 x 8	97.38	15.00	17.00	24.00	6.88	4.20	2.25	17.00	19.00





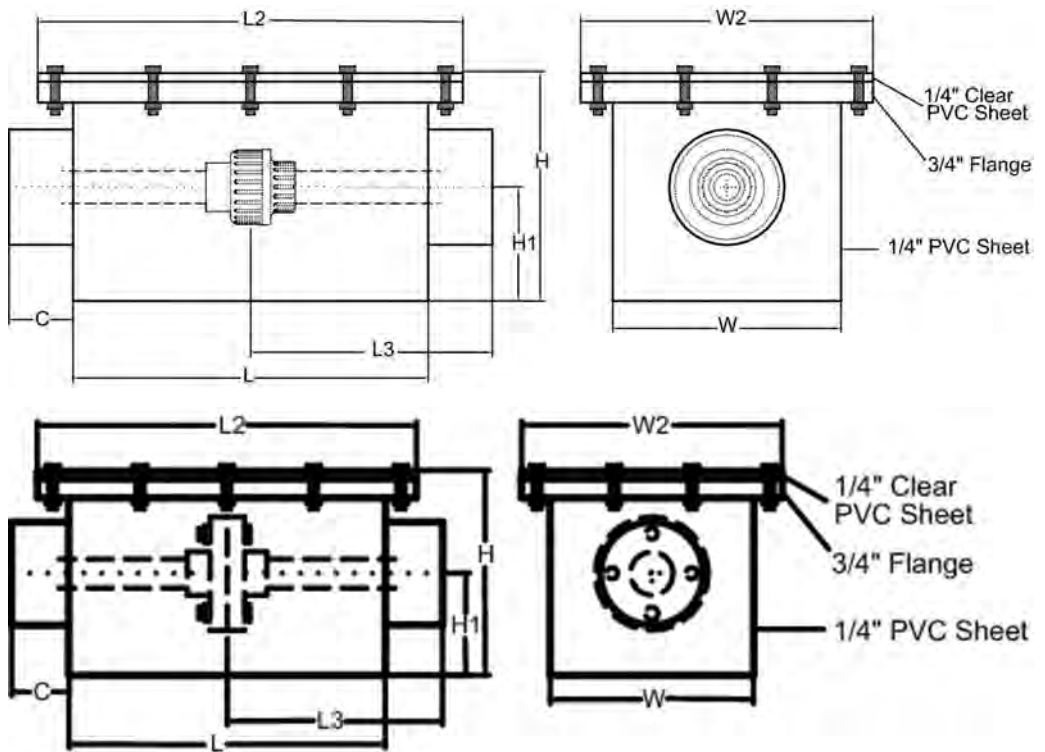
# Flange/Union Box, PVC

**A**

Not Pressure Rated

Secondary Connection [inch]	Part No.	USD
2	8854020F *	542.31
3	8854030F *	764.60
4	8854040F *	896.69
6	8854060F *	1,466.53
8	8854080F *	1,452.42
10	8854100F *	1,892.72

Secondary Connection [inch]	Weight [lb]	W [inch]	W2 [inch]	L [inch]	L2 [inch]	L3 [inch]	H [inch]	H1 [inch]	C [inch]
2	6.58	9	11.00	14.00	16.00	8.57	9.00	4.50	1.57
3	6.97	9	11.00	14.00	16.00	9.02	9.00	4.50	2.02
4	9.32	12	14.00	14.00	16.00	9.40	12.00	6.00	2.40
6	23.63	12	14.00	14.00	16.00	10.21	12.00	6.00	3.21
8	36.29	15	17.00	15.00	17.00	11.70	15.00	7.50	4.20
10	55.75	15	17.00	15.00	17.00	12.78	15.00	7.50	5.28



# Leak Detection



## Low Point Leak Detection Alarm Box

**A**

- Visual alarm indicators
- Powered on lithium batteries
- Alarm box does not include sensors
- No output option

	Part No.	USD	Description
*	150 240 001	1,529.00	4 Sensor Signal Leak Detection Alarm Box



## Low Point Leak Detection System

- 12 point leak detection system
- 14" x 12" NEMA 4 Enclosure with locking latches.
- Internal fusible breaker for power protection.
- (12) Red LED indicators for leak detection at a specific points.
- RS485 Communications for building automation.
- Alarm output terminals for remote alarm indication.
- Optional audible alarm available.
- Other options available upon request.

	Part No.	USD	Description
*	150 000 060	Call	12 Point Leak Detection System

## Continuous Cable Leak Detection System



- Dimensions: 13.75" x 11.81" x 4.00" (350mm x 300mm x 102mm) Type 12 (IP52)
- Power: 110-240VAC, 50/60 Hz, 0.3 A/50 VA 24 VDC, 1 A/24 VA
- Accepts probe and cable sensors in one sensor string

	Maximum Cable Range [ft]	Cable Capacity	Part No.	USD
*	3000	1	150 000 061	Call
*	7500	1	150 000 064	Call
*	7500	4	150 000 065	Call

## Level Switch

**A**



	Part No.	USD	Size	Material
*	150 000 062	48.00	1/2" x 1/2" NPT	Polypropylene
*	150 000 063	79.00	1/2" x 1/2" NPT	CPVC

# Accessories

## Two-Component Adhesive/Sealer

**B**

For closure coupling installations only.  
 Contain-It Dispensing Gun (P#4694-200) can also be used for the 400mL cartridge

- The Starter Kit includes two cartridges, one dispensing gun, and six mixing tips.



	Part No.	USD	Description	Pack Qty	
*	150 845 002	16.00	43mL Adhesive	10	
*	150 845 003	1.00	43mL Mixing Tip	12	
*	150 845 004	51.00	43mL Dispensing Gun	1	
*	150 845 005	90.00	400mL Adhesive	4	
*	150 845 006	4.00	400mL Mixing Tip	10	
*	150 845 007	584.00	400mL Dispensing Gun	1	
*	150 845 001	85.00	43mL Starter Kit	1	