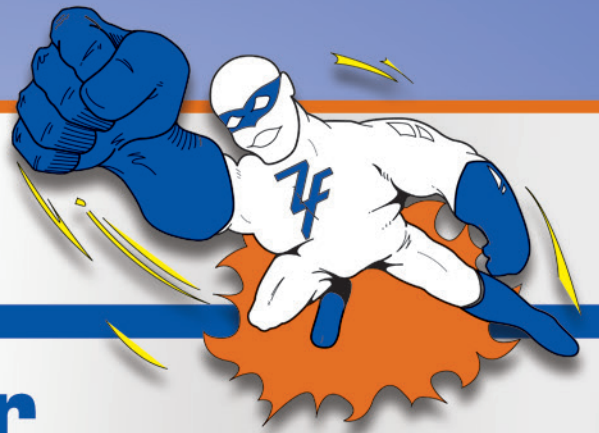
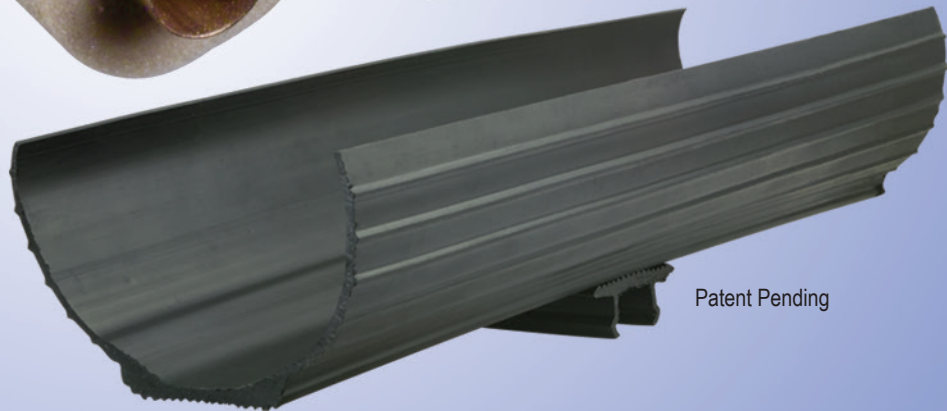




ZSI-Foster



The SNAP-A-SADDLE™ provides an easy way to attach insulated pipes to support channel, with one step, tool-free installation.



Patent Pending

SNAP-A-SADDLE™

A NEW BREAKTHROUGH
DEVELOPED BY INDUSTRY LEADER ZSI

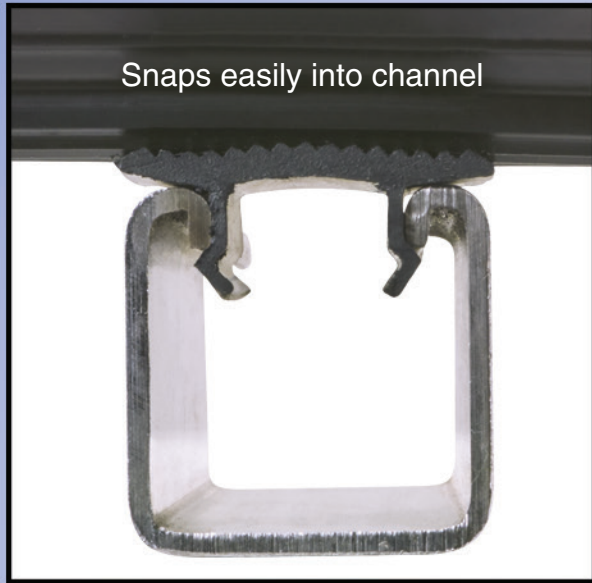
www.zsi-foster.com



SNAP-A-SADDLE™

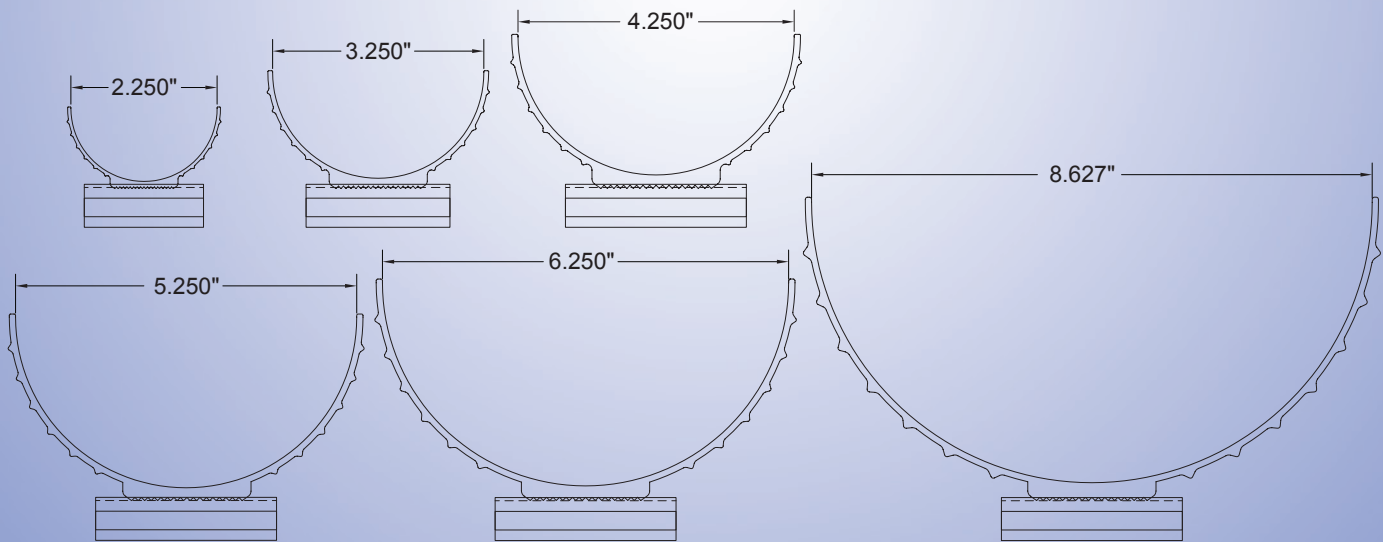
The SNAP-A-SADDLE™ provides an easy way to attach insulated pipes to support channel, with one step, tool-free installation.

- Temp Range: -50° to 275° F (-46° to 135° C)
- Available in both black and white
- UL94-HB1 Rated TPV Material
- Made in USA
- Easy Installation
- Standard 12" lengths. Special lengths available upon request



Part No.	Description
SB225	SNAP-A-SADDLE 2¼" Black
SB325	SNAP-A-SADDLE 3¼" Black
SB425	SNAP-A-SADDLE 4¼" Black
SB525	SNAP-A-SADDLE 5¼" Black
SB625	SNAP-A-SADDLE 6¼" Black
SB825	SNAP-A-SADDLE 8¼" Black

Part No.	Description
SW225	SNAP-A-SADDLE 2¼" White
SW325	SNAP-A-SADDLE 3¼" White
SW425	SNAP-A-SADDLE 4¼" White
SW525	SNAP-A-SADDLE 5¼" White
SW625	SNAP-A-SADDLE 6¼" White
SW825	SNAP-A-SADDLE 8¼" White



DISTRIBUTED BY:



ZSI, INC.

45065 Michigan Ave.
Canton, MI 48188
Tel: (734) 844-0055
Tel: (800) 323-7053
Fax: (734) 844-0066