

BRASS BALL • NPT THREAD X NPT THREAD • LEAD FREE

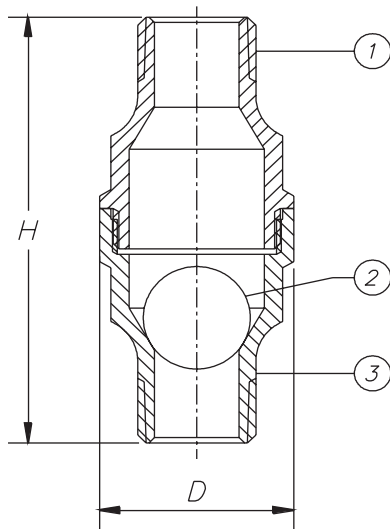
Ball Drip Valves feature a two piece brass construction. They are designed to prevent moisture accumulation on the “dry” side of Fire Department Connections when used in conjunction with an approved check valve. When installed the ball in the lower area of the valve body allowing for proper drainage of moisture accumulation. Upon system pressurization, the ball is pushed into the small end of the body closing the opening. When system pressure is removed, the ball returns to its original position. Designed for horizontal installation only.

Features

- Lead free brass
- Two piece
- Solid brass ball
- NPT threads
- For horizontal use only

Specifications & Approvals

Approvals: ANSI / ASME B1.20.1



List Price

Part#	Size	Inner	Master	List
681T012-NL	1/2"	10	100	\$36.34
681T034-NL	3/4"	10	100	\$41.47

Dimensions

Part#	Size	H	D
681T012-NL	1/2"	3.09	1.36
681T034-NL	3/4"	3.09	1.36

Material Specifications

Part Name	Material
1. Bonnet	Brass C46400
2. Ball	Brass C46400
3. Body	Brass C46400